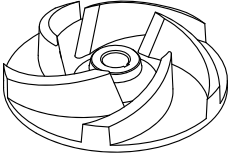


HYDROPOMPE	OPEN IMPELLER 	60 Hz
HYDRO SERIES		2 POLE
8XM-8XT		

USE

Submersible electric pumps particularly suitable for the emptying of basements, garages, cellars and flooded premises.

MATERIALS

Cover

Cast iron EN GJL 200 (UNI EN 1561)

Pump housing

Cast iron EN GJL 200 (UNI EN 1561)

Strainer

Anticorodal aluminium alloy

Impeller

Cast iron EN GJL 200 (UNI EN 1561)

Seal motor side

Seal ring

Mechanical seal impeller side

Steatite/Graphite

Motor housing

Stainless steel AISI 304

Motor shaft

Stainless steel AISI 416

Bolts and nuts

Stainless steel Grade A2

Cable

10 meters type H07RN-F

Single-phase with 3G1mm² cable and SCHUKO (CEE 7/VII) plug

Three-phase with 4G1mm² cable

LIMITS TO USE

Max temperature of the liquid pumped

+40°C

pH of the liquid pumped

6÷10

Max immersion depth

5 m

Liquid density

1,0 kg/dm³

Min immersion depth for continuous service

266 mm

Free passage

8 mm

Max number starts/hour

20

Acoustic pressure level issued

<70dB(A)

MOTOR

The electric motor is asynchronous with squirrel cage rotor in oil bath

Class of insulation F

Protection degree IP68

2pole; 60Hz

Main voltage values and relative tolerance in relation to the rated voltage value:

SINGLE-PHASE

230V ±6%

built-in overheating protection and float switch

THREE-PHASE

230V ±10%

400V ±10%

Other voltages on request.

OTHER FEATURES ON REQUEST

Silicon carbide (SiC/SiC) mechanical seal


Frequency 50 Hz (see specific catalogue)

Other voltages

With food grade white oil

TECHNICAL DATA

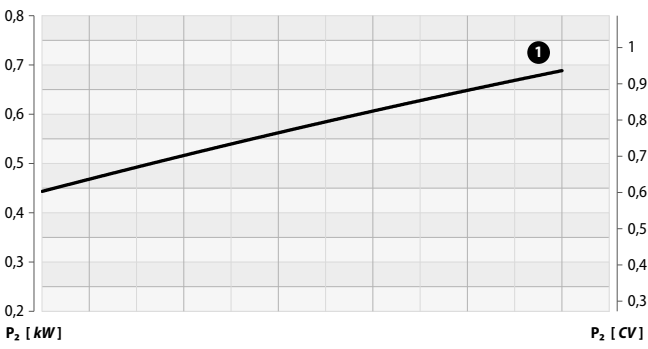
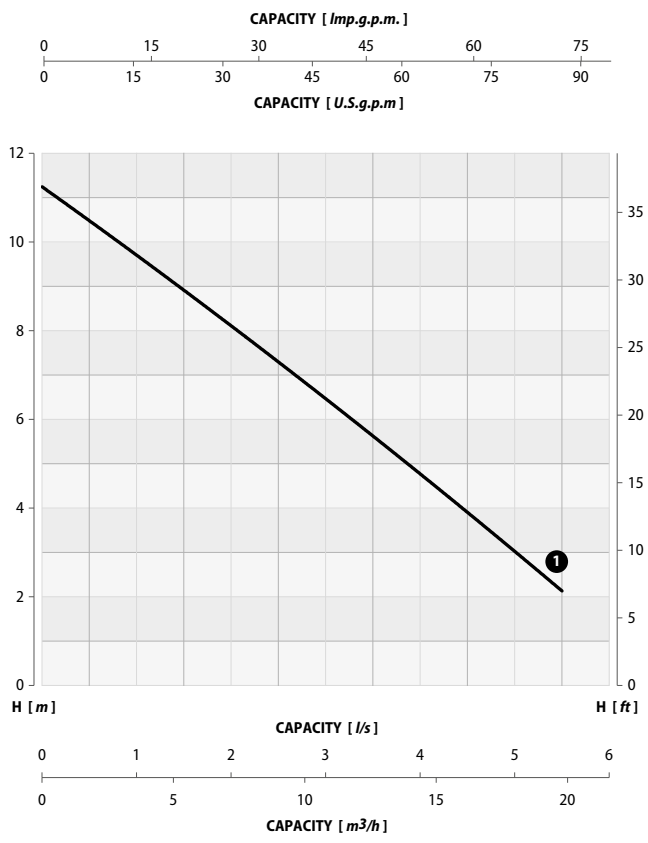
MODEL	P1 kW	P2		VOLTAGE V	CURRENT A	CAPACITOR		CABLE m	WEIGHT kg
		kW	CV			µF	V		
8XM	0,88	0,70	0,95	230 (1~)	4,8	14	450	10	14
8XT	0,88	0,70	0,95	230/400 (3~)	3,1/1,8	14	450	10	14

HYDRO SERIES	8XM-8XT		OPEN IMPELLER	60 Hz
				2 POLE


PERFORMANCE RANGE

CAPACITY													
<i>l/s</i>	0	0,5	1	1,5	2	2,5	3,0	3,5	4,0	4,5	5,0	5,5	
<i>m³/h</i>	0	1,8	3,6	5,4	7,2	9,0	10,8	12,6	14,4	16,2	18,0	19,8	
<i>l/min</i>	0	30	60	90	120	150	180	210	240	270	300	330	

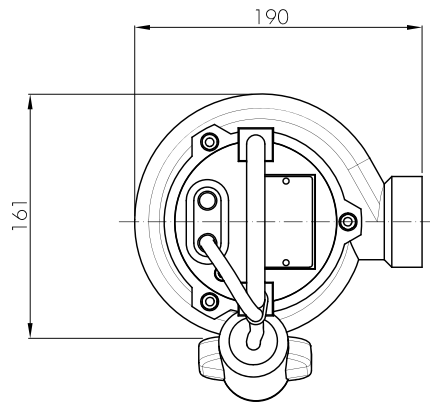
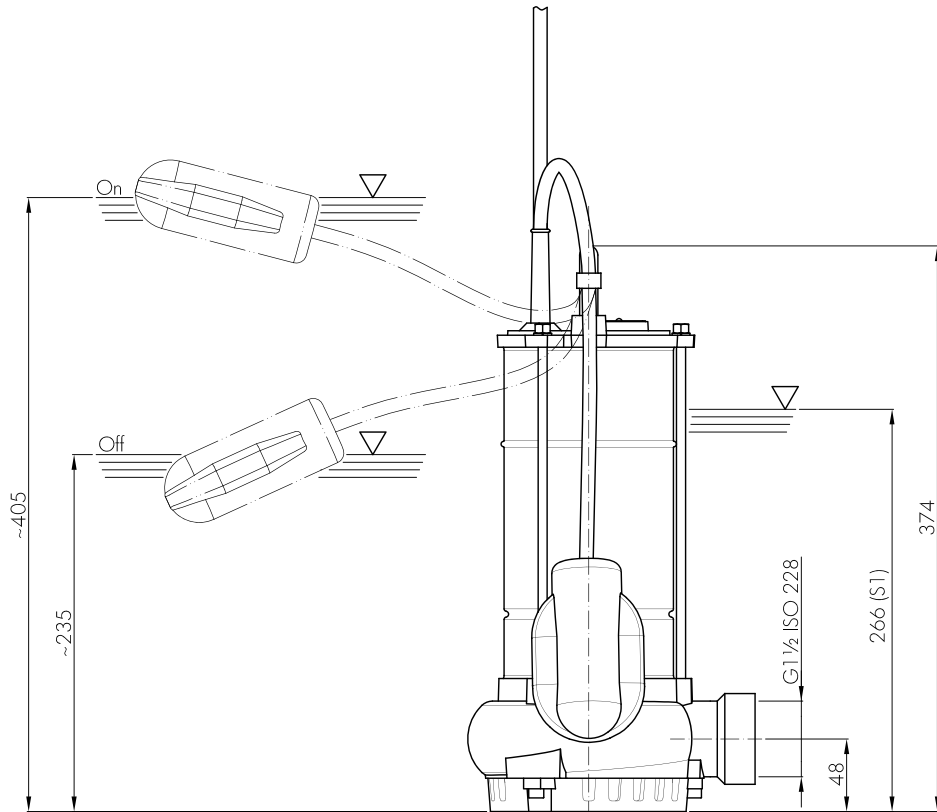
MODEL	CURVE N°	HEAD <i>m</i>											
		8XM 8XT	1	11,2	10,4	9,8	9,0	9,4	7,3	6,4	5,5	4,8	3,9



Performance tolerance in according to UNI/ISO 9906 Grade 3B

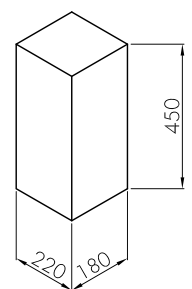
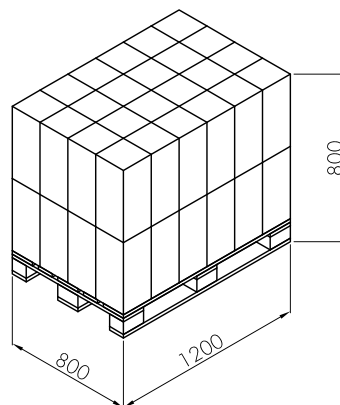
HYDRO SERIES	8XM-8XT		OPEN IMPELLER	60 Hz
				2 POLE


INSTALLATION DIMENSIONS



PACKAGING DIMENSIONS

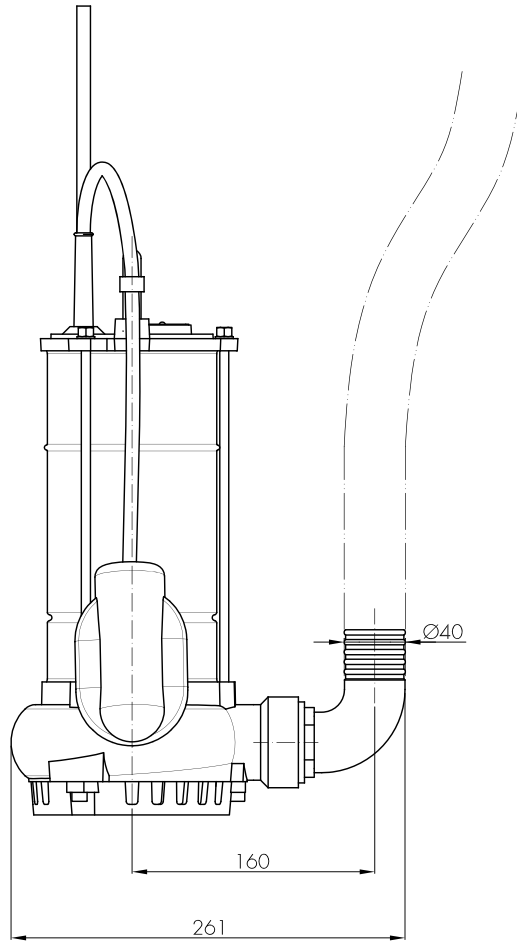
MODEL	PUMPS N°	WEIGHT kg
8XM	32	500
8XT	32	500




HYDRO SERIES	8XM-8XT		OPEN IMPELLER	60 Hz
				2 POLE

PORTABLE INSTALLATION

Transportable as emergency pump with connection to the hose and for free installation in the well.



NOTES



.....

.....

.....

.....

.....

.....

.....

i Changes reserved

02/2019