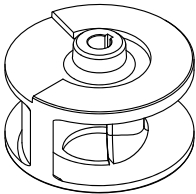


HYDROPOMPE	SINGLE CHANNEL IMPELLER	DN 80
F SERIES		60 Hz
304/413-404/413		4 POLE

USE

Submersible electric pumps particularly suitable for pumping industrial sewage, screened waste water and mud in the pumping stations. They can be used also to lift clear and dirty water and rain water.

MATERIALS

Motor housing

Cast iron EN GJL 200 (UNI EN 1561)

Pump housing

Cast iron EN GJL 200 (UNI EN 1561)

Bearing housing

Cast iron EN GJL 200 (UNI EN 1561)

Impeller

Cast iron EN GJS 400 (UNI EN 1563)

Mechanical seal motor side

Graphite/Ceramic

Mechanical seal impeller side

Silicon Carbide/Silicon Carbide (SiC/SiC)

Supporting feet

Stainless steel AISI 304

Motor shaft

Stainless steel AISI 420

Bolts and nuts

Stainless steel Grade A2

Cable

10 meters type H07RN-F 4G2,5mm²

LIMITS TO USE

Max temperature of the liquid pumped

+40°C

pH of the liquid pumped

6÷10

Max immersion depth

20 m

Liquid density

1,0 kg/dm³

Min immersion depth for continuous service

551 mm

Free passage

75 mm

Max number starts/hour

20

Acoustic pressure level issued

<70dB(A)

MOTOR

The electric motor is asynchronous with squirrel cage rotor in dry chamber

Class of insulation F

Protection degree IP68

4pole; 60Hz

Main voltage values and relative tolerance in relation to the rated voltage value:

THREE-PHASE

230V ±10%

400V ±10%

Other voltages on request.

OTHER FEATURES ON REQUEST


Frequency 50 Hz (*see specific catalogue*)

Other voltages

With food grade white oil

TECHNICAL DATA

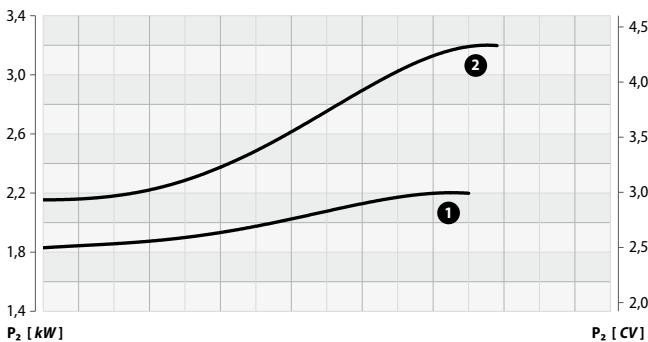
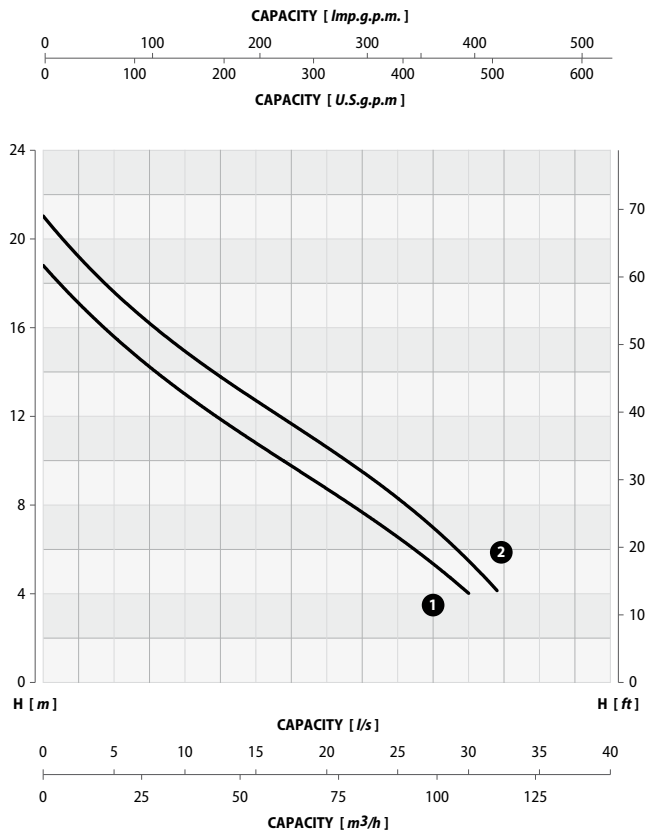
MODEL	P1	P2		VOLTAGE V	CURRENT A	CABLE m	WEIGHT kg
	kW	kW	CV				
304/413	3,8	2,2	3,0	230/400 (3~)	11,2/6,5	10	80
404/413	5,0	3,1	4,2	230/400 (3~)	14,7/8,5	10	86

F SERIES	304/413-404/413		SINGLE CHANNEL IMPELLER	DN 80
				60 Hz
				4 POLE

PERFORMANCE RANGE

CAPACITY														
<i>l/s</i>	0	8	10	12	14	16	18	20	22	24	26	28	30	32
<i>m³/h</i>	0	28,8	36,0	43,2	50,4	57,6	64,8	72,0	79,2	86,4	93,6	100,8	108,0	115,2
<i>l/min</i>	0	480	600	720	840	960	1080	1200	1320	1440	1560	1680	1800	1920

MODEL	CURVE N°	HEAD m													
		304/413	1	18,8	14,0	13,0	12,1	11,3	10,3	9,5	8,7	8,0	7,0	6,1	5,1
404/413	2	21,0	16,0	15,0	14,3	12,8	11,8	12,0	10,5	9,7	8,9	7,7	6,7	5,7	4,0



Performance tolerance in according to UNI/ISO 9906 Grade 3B

F SERIES

304/413-404/413



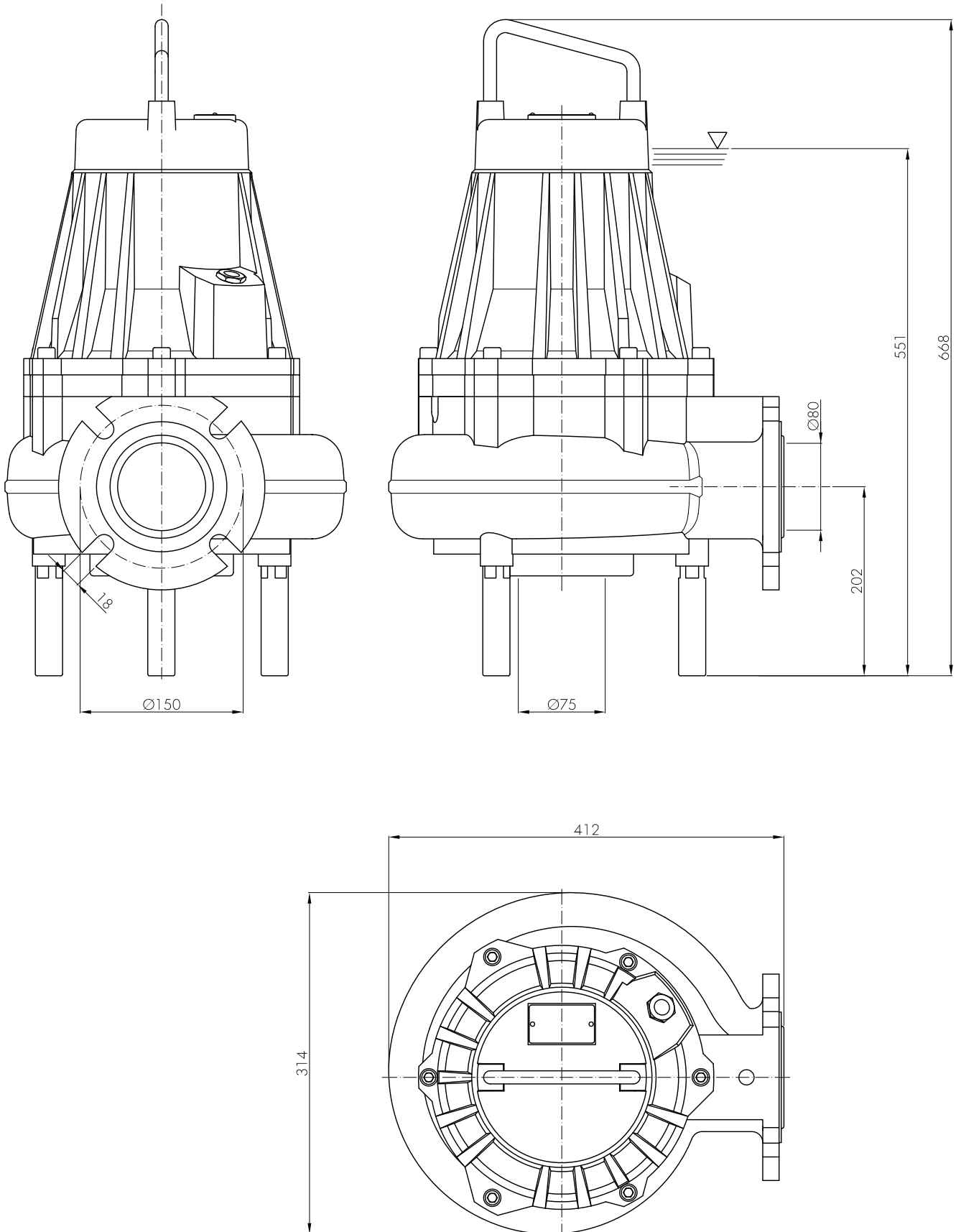
SINGLE CHANNEL IMPELLER


DN 80

60 Hz

4 POLE

INSTALLATION DIMENSIONS



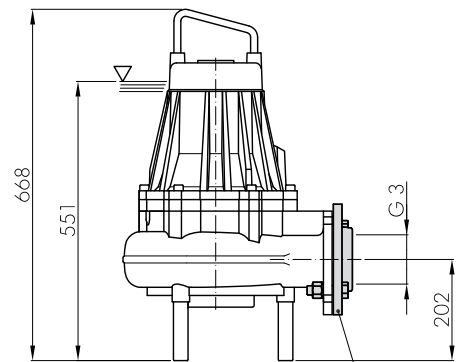
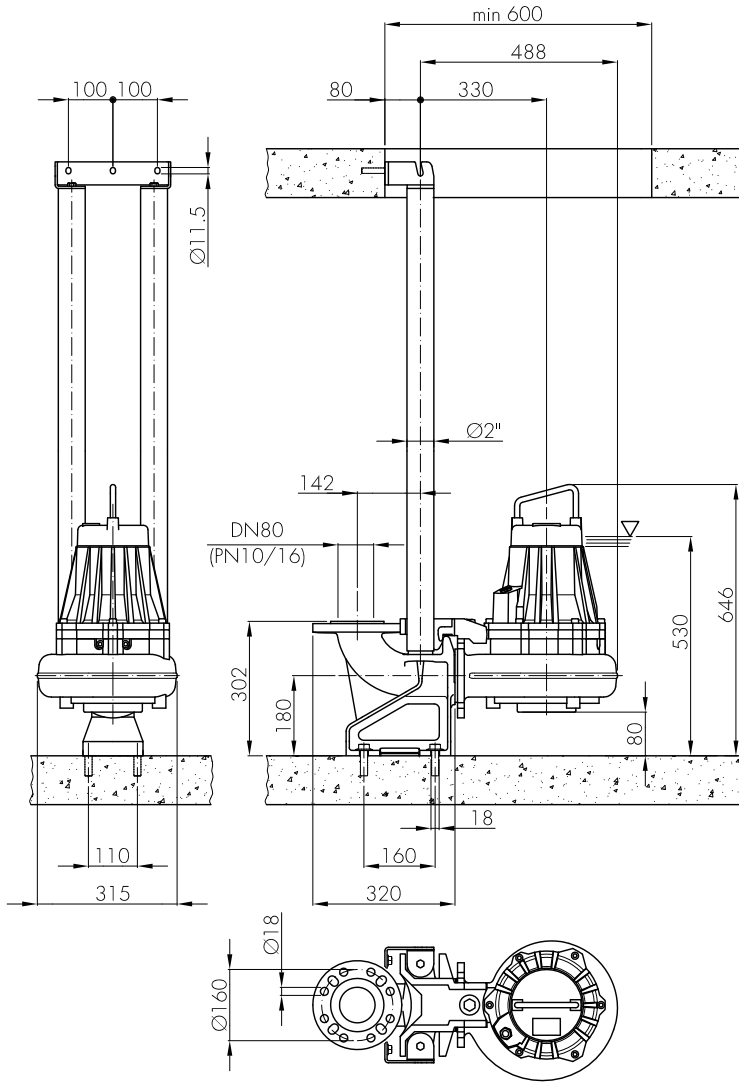
F SERIES	304/413-404/413		DN 80
			60 Hz
			4 POLE

PERMANENT INSTALLATION WITH COUPLING SYSTEM

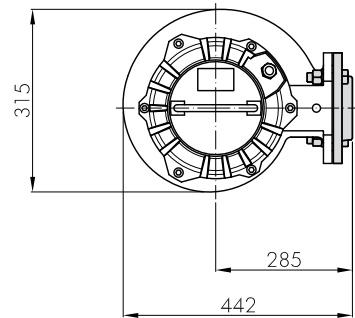
It is the recommended installation for the permanent pumping station. The electric pump is guided by two pipes and it is connected automatically to the coupling system. The quick connection ensures that the pump can be easily removed and re-installed.

PORTABLE INSTALLATION

Transportable as emergency pump with connection to the hose and for free installation in the well.



ON REQUEST




3
3

NOTES



.....

.....

 Changes reserved

01/2019