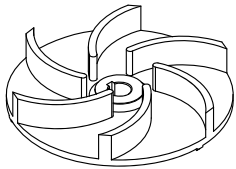


HYDROPOMPE	VORTEX IMPELLER 	60 Hz
F SERIES		
104M-104T-154M-154T		4 POLE

USE

Submersible electric pumps suitable for pumping screened waste water, draining the sewage of blocks of flats and houses and flooded premises in general.

MATERIALS

Cover
Cast iron EN GJL 200 (UNI EN 1561)

Pump housing
Cast iron EN GJL 200 (UNI EN 1561)

Motor housing
Cast iron EN GJL 200 (UNI EN 1561)

Supporting foot
Cast iron EN GJL 200 (UNI EN 1561)

Impeller
Cast iron EN GJL 200 (UNI EN 1561)

Mechanical seal
Silicon Carbide/Silicon Carbide (SiC/SiC)

Motor shaft
Stainless steel AISI 416

Bolts and nuts
Stainless steel Grade A2

Cable
10 meters type H07RN-F
Single-phase with 4G1,5mm² cable, capacitor box and SCHUKO (CEE 7/VII) plug
Three-phase with 4G1,5mm² cable

LIMITI D'IMPIEGO

Max temperature of the liquid pumped
+40°C

pH of the liquid pumped
6÷10

Max immersion depth
20 m

Liquid density
1,0 kg/dm³

Min immersion depth for continuous service
104M-104T 353 mm
154M-154T 380 mm

Free passage
104M-104T 40 mm
154M-154T 50 mm

Max number starts/hour
20

Acoustic pressure level issued
<70dB(A)

MOTOR

The electric motor is asynchronous with squirrel cage rotor in oil bath
Class of insulation F
Protection degree IP68
4pole; 60Hz

Main voltage values and relative tolerance in relation to the rated voltage value:

SINGLE-PHASE
230V ±6%
built-in overheating protection and float switch

THREE-PHASE
230V ±10%
400V ±10%

Other voltages on request.

OTHER FEATURES ON REQUEST

Frequency 50 Hz (*see specific catalogue*)
Other voltages
With food grade white oil

TECHNICAL DATA

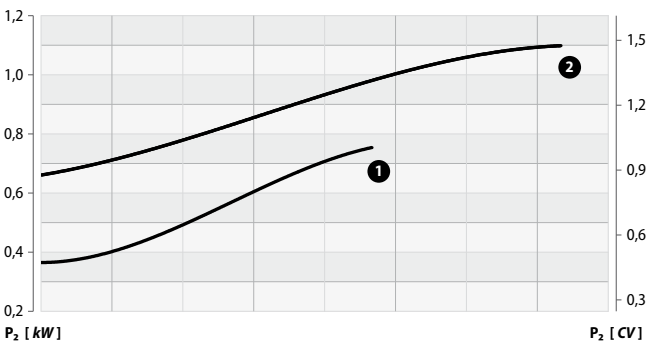
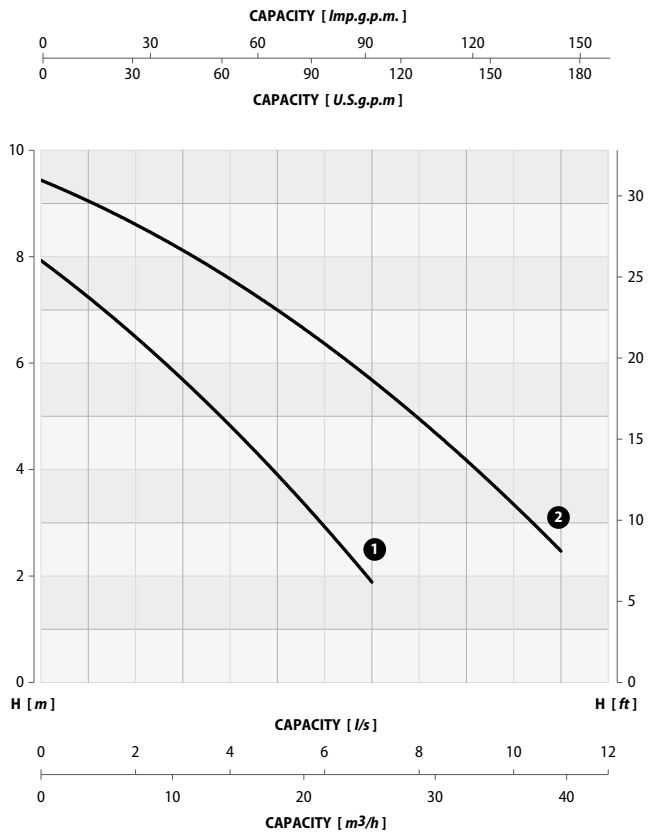
MODEL	P1 kW	P2		VOLTAGE V	CURRENT A	CAPACITOR		CABLE m	WEIGHT kg
		kW	CV			µF	V		
104M	1,2	0,75	1,0	230 (1~)	5,0	14	450	10	29
104T	1,2	0,75	1,0	230/400 (3~)	3,5/1,9	-	-	10	29
154M	1,5	1,1	1,5	230 (1~)	7,7	20	450	10	33
154T	1,5	1,1	1,5	230/400 (3~)	4,8/2,8	-	-	10	33

F SERIES	104M-104T-154M-154T		VORTEX IMPELLER	60 Hz
				4 POLE

PERFORMANCE RANGE

CAPACITY												
<i>l/s</i>	0	1	2	3	4	5	6	7	8	9	10	11
<i>m³/h</i>	0	3,6	7,2	10,8	14,4	18,0	21,6	25,2	28,8	32,4	36,0	39,6
<i>l/min</i>	0	60	120	180	240	300	360	420	480	540	600	660

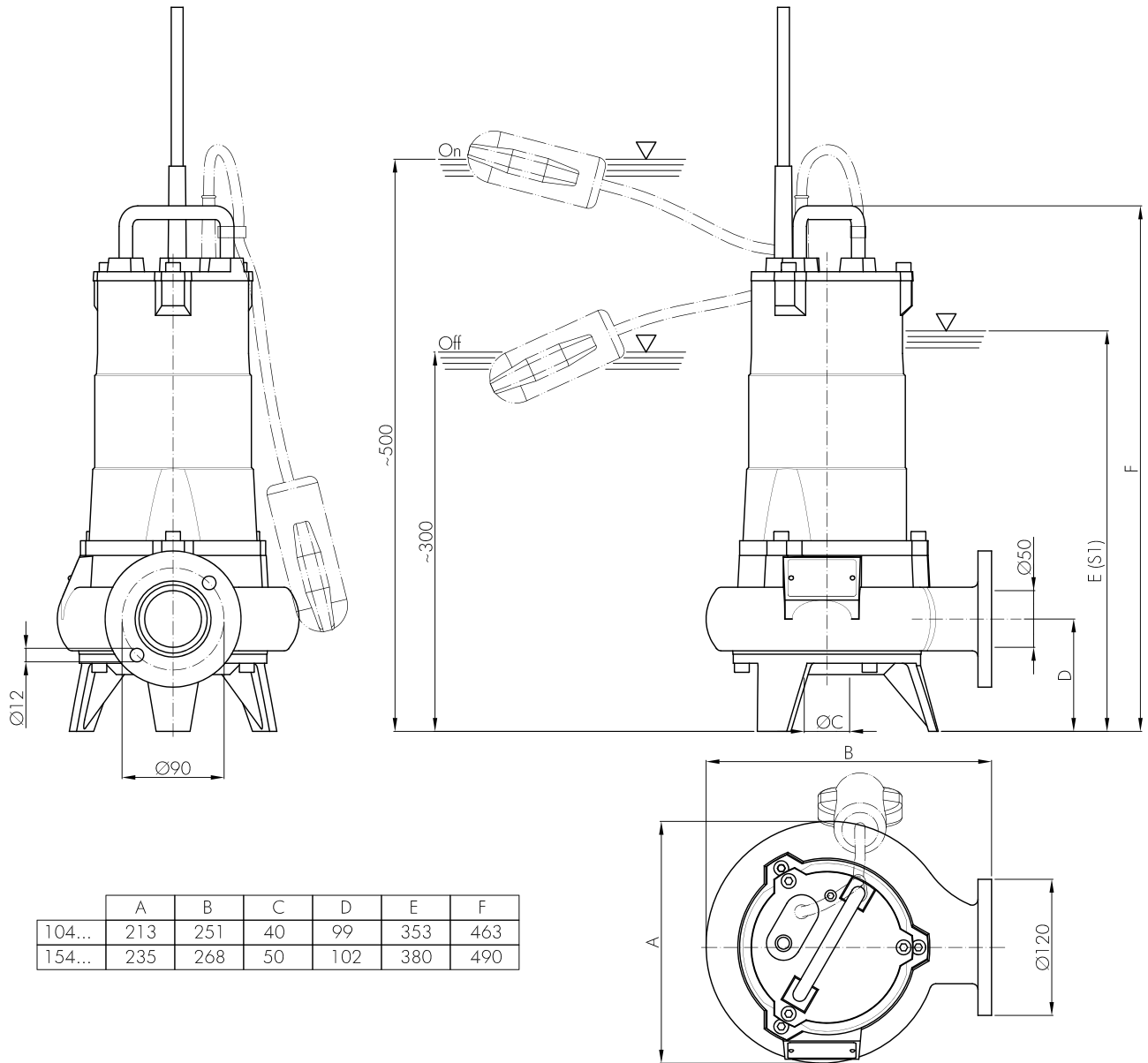
MODEL	CURVE N°	HEAD <i>m</i>												
		104M	1	8,0	7,2	6,4	5,7	4,8	4,0	3,0	1,8	-	-	-
104T	154M	2		9,5	9,0	8,5	8,2	7,6	7,0	6,4	5,7	4,9	4,2	3,3
154T														



Performance tolerance in according to UNI/ISO 9906 Grade 3B

F SERIES	104M-104T-154M-154T		VORTEX IMPELLER	60 Hz
				4 POLE

INSTALLATION DIMENSIONS



F SERIES

104M-104T-154M-154T



VORTEX IMPELLER

60 Hz

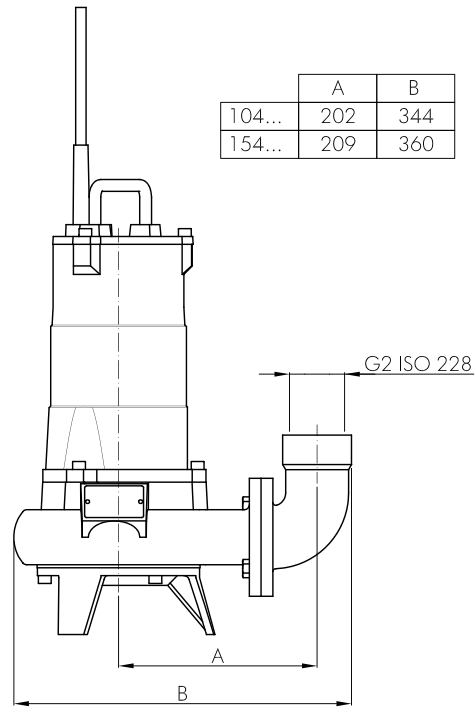
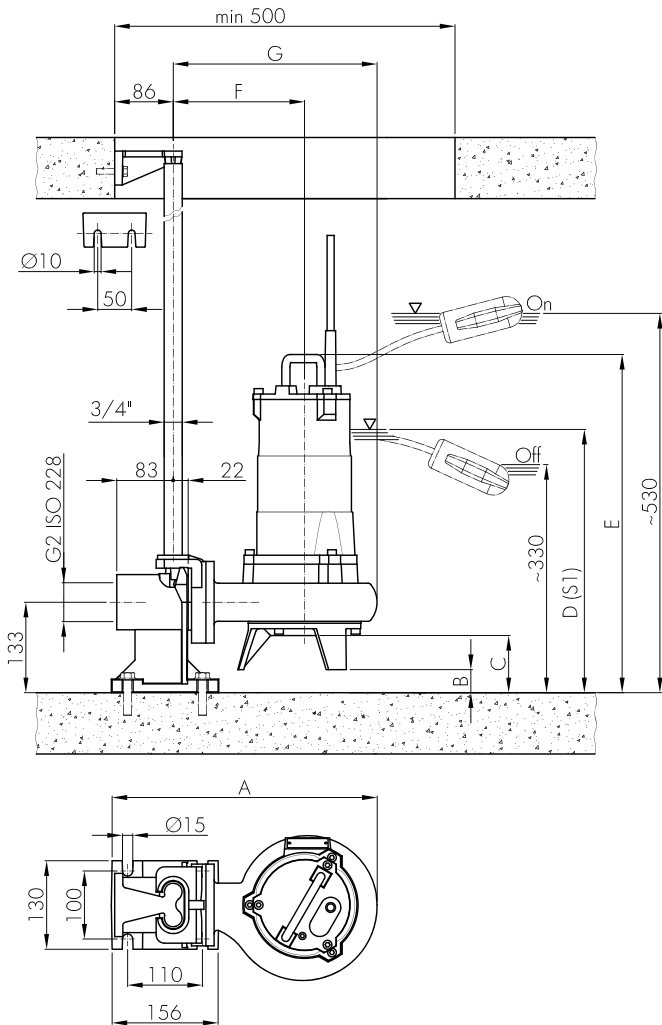
4 POLE

PERMANENT INSTALLATION WITH COUPLING SYSTEM

It is the recommended installation for the permanent pumping station. The electric pump is guided by two pipes and it is connected automatically to the coupling system. The quick connection ensures that the pump can be easily removed and re-installed.

PORTABLE INSTALLATION

Transportable as emergency pump with connection to the hose and for free installation in the well.



	A	B
104...	202	344
154...	209	360

	A	B	C	D	E	F	G
104...	390	34	84	387	497	193	300
154...	407	31	81	414	521	200	316

NOTES



i Changes reserved

02/2019