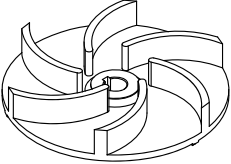


HYDROPOMPE	VORTEX IMPELLER	60 Hz
F SERIES		2 POLE
152MV-152TV-202MV-202TV		

USE

Submersible electric pumps suitable for pumping screened waste water, draining the sewage of blocks of flats and houses and flooded premises in general.

MATERIALS

Cover

Cast iron EN GJL 200 (UNI EN 1561)

Motor housing

Cast iron EN GJL 200 (UNI EN 1561)

Pump housing

Cast iron EN GJL 200 (UNI EN 1561)

Supporting foot

Cast iron EN GJL 200 (UNI EN 1561)

Impeller

Cast iron EN GJL 200 (UNI EN 1561)

Mechanical seal

Silicon Carbide/Silicon Carbide (SiC/SiC)

Motor shaft

Stainless steel AISI 416

Bolts and nuts

Stainless steel Grade A2

Cable

10 meters type H07RN-F

Single-phase with 4G1,5mm² cable, capacitor box and SCHUKO (CEE 7/VII) plug

Single-phase F202MV with 4G2,5mm² cable, capacitor box and SCHUKO (CEE 7/VII) plug

Three-phase with 4G1,5mm² cable

LIMITS TO USE

Max temperature of the liquid pumped

+40°C

pH of the liquid pumped

6÷10

Max immersion depth

20 m

Liquid density

1,0 kg/dm³

Min immersion depth for continuous service

102MV-102TV-152MV-152TV 353 mm

202MV-202TV 380 mm

Free passage

102MV-102TV-152MV-152TV 40 mm

202MV-202TV 50 mm

Max number starts/hour

20

Acoustic pressure level issued

<70dB(A)

MOTOR

The electric motor is asynchronous with squirrel

cage rotor in oil bath

Class of insulation F

Protection degree IP68

2pole; 60Hz

Main voltage values and relative tolerance in relation to the rated voltage value:

SINGLE-PHASE

230V ±6%

built-in overheating protection and float switch

THREE-PHASE

230V ±10%

400V ±10%

Other voltages on request.

OTHER FEATURES ON REQUEST


Frequency 50 Hz (*see specific catalogue*)

Other voltages

With food grade white oil

TECHNICAL DATA

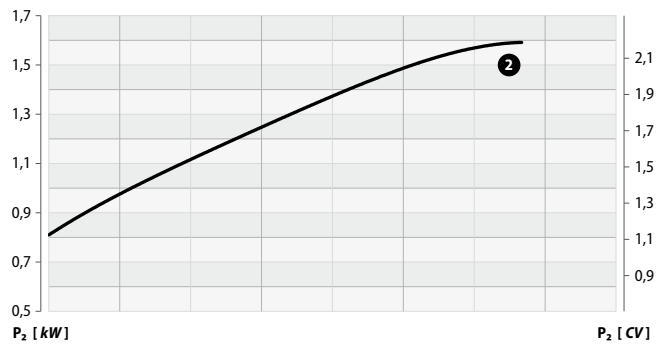
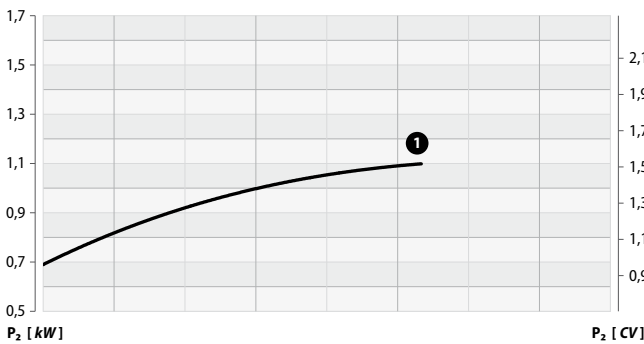
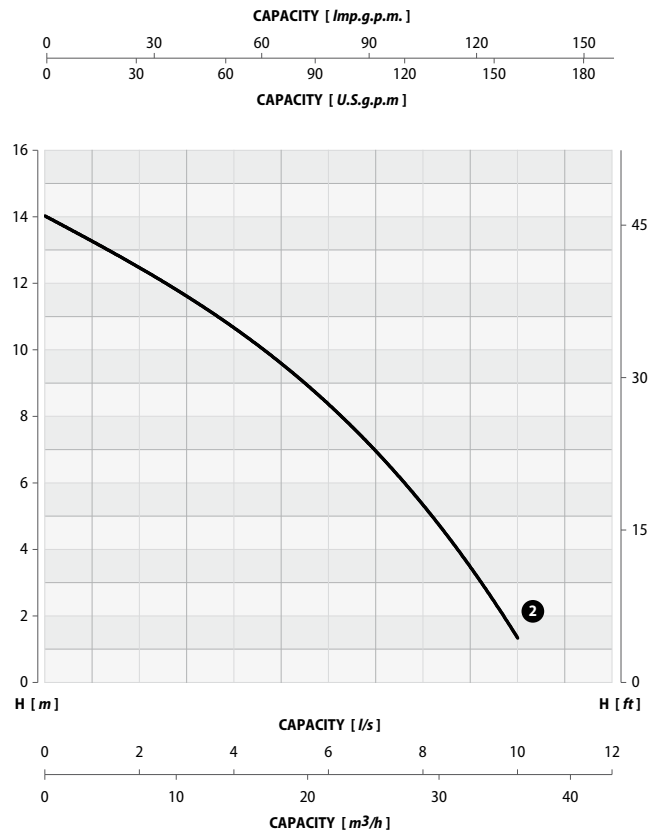
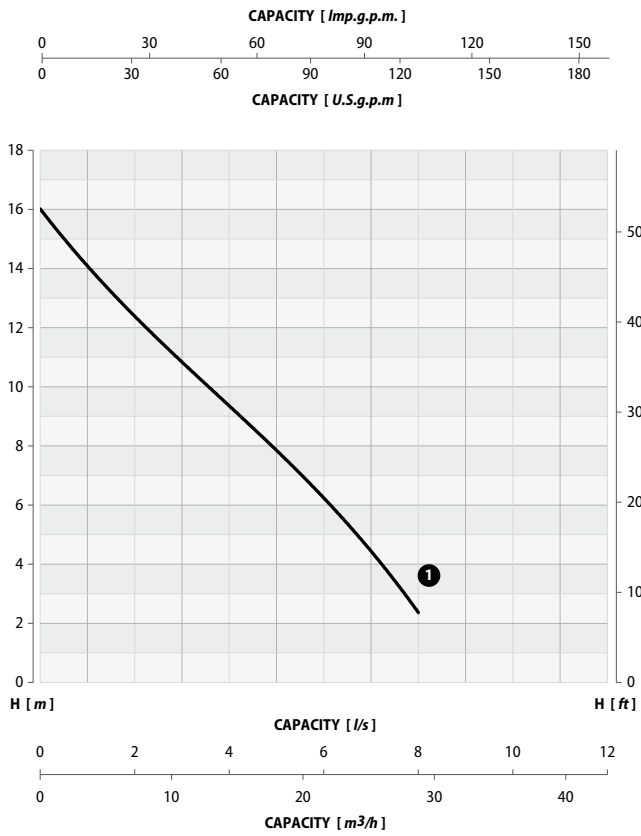
MODEL	P1 kW	P2		VOLTAGE V	CURRENT A	CAPACITOR		CABLE m	WEIGHT kg
		kW	CV			µF	V		
152MV	1,8	1,3	1,8	230 (1~)	9,0	30	450	10	29
152TV	1,6	1,1	1,5	230/400 (3~)	5,2/3,0	-	-	10	29
202MV	2,3	1,6	2,1	230 (1~)	11,0	40	450	10	35
202TV	2,3	1,6	2,1	230/400 (3~)	6,9/4,0	-	-	10	35

F SERIES	152MV-152TV-202MV-202TV		VORTEX IMPELLER	60 Hz
				2 POLE

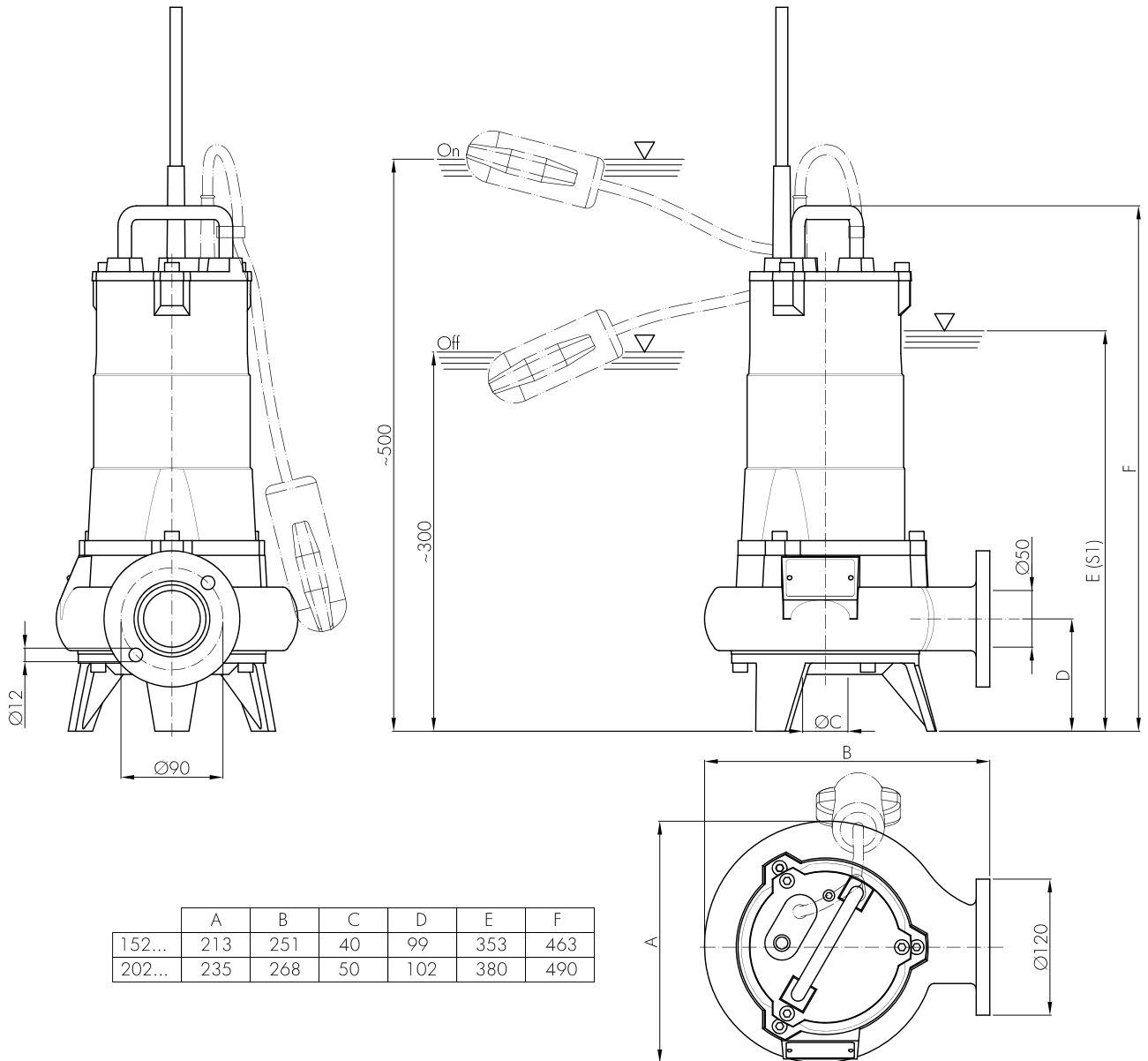
PERFORMANCE RANGE

CAPACITY												
<i>l/s</i>	0	1	2	3	4	5	6	7	8	9	10	
<i>m³/h</i>	0	3,6	7,2	10,8	14,4	18,0	21,6	25,2	28,8	32,4	36	
<i>l/min</i>	0	60	120	180	240	300	360	420	480	540	600	

MODEL	CURVE N°	HEAD m											
		152MV	1	16,0	14,2	12,2	10,9	9,4	7,9	6,2	4,4	2,4	-
152TV	202MV	2		14,0	13,3	12,5	11,6	10,7	9,5	8,4	6,9	5,4	3,5
202TV													



Performance tolerance in according to UNI/ISO 9906 Grade 3B

F SERIES**152MV-152TV-202MV-202TV****VORTEX IMPELLER****60 Hz****2 POLE****INSTALLATION DIMENSIONS**

F SERIES

152MV-152TV-202MV-202TV



VORTEX IMPELLER

60 Hz

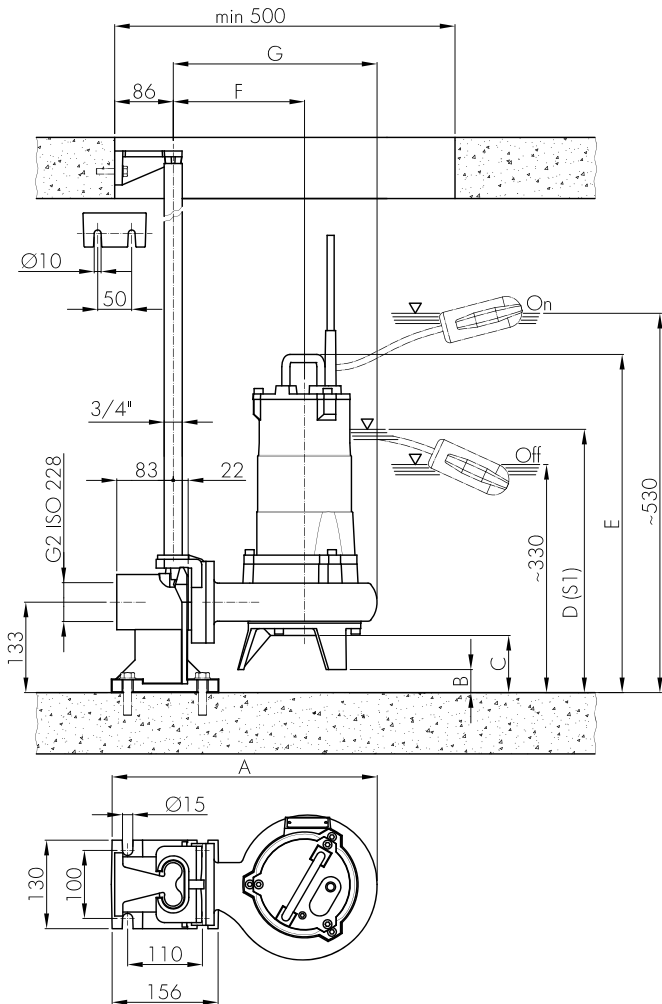
2 POLE

PERMANENT INSTALLATION WITH COUPLING SYSTEM

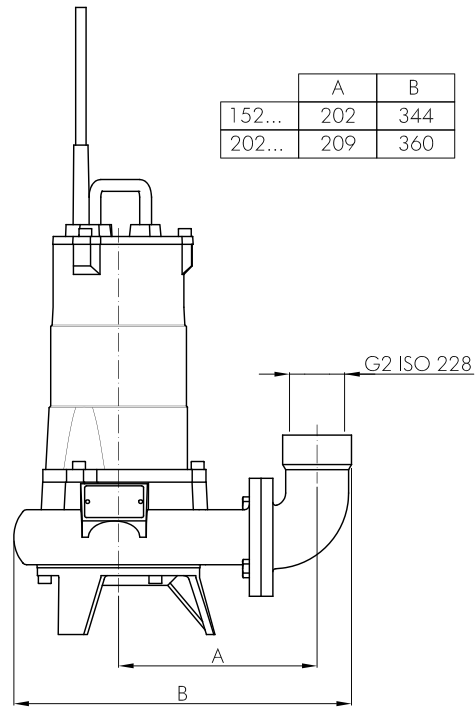
It is the recommended installation for the permanent pumping station. The electric pump is guided by two pipes and it is connected automatically to the coupling system. The quick connection ensures that the pump can be easily removed and re-installed.

PORTABLE INSTALLATION

Transportable as emergency pump with connection to the hose and for free installation in the well.



	A	B
152...	202	344
202...	209	360



	A	B	C	D	E	F	G
152...	390	34	84	387	497	193	300
202...	407	31	81	414	521	200	316

NOTES



Changes reserved

02/2019